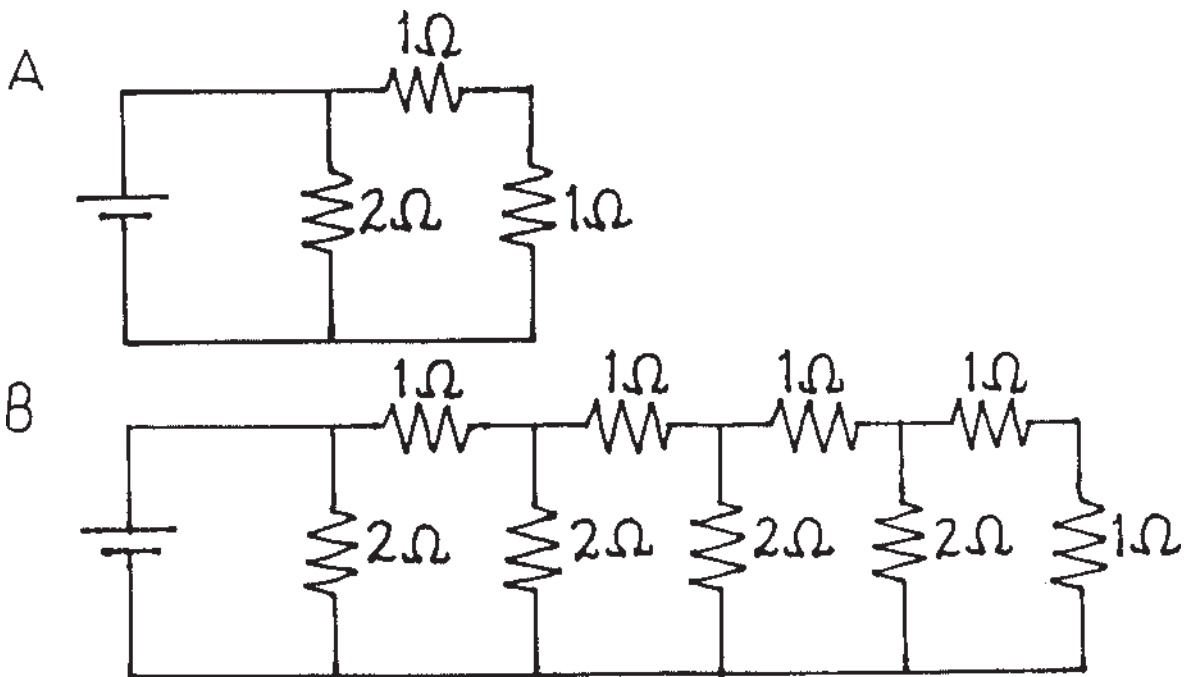


Which circuit draws the most current?



- a) Circuit A
- b) Circuit B
- c) Both the same