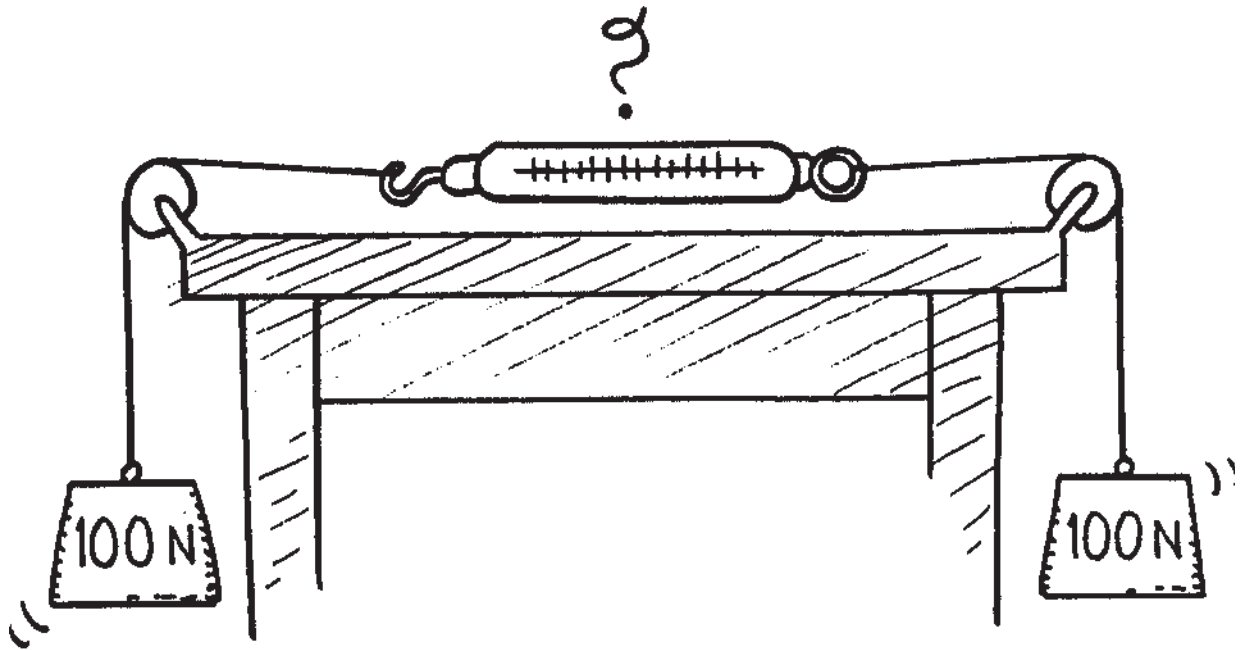


7-3**CONCEPTUAL PHYSICS
Next-Time Question**

DOES THE SCALE READ
100 N, 200 N, OR ZERO?